

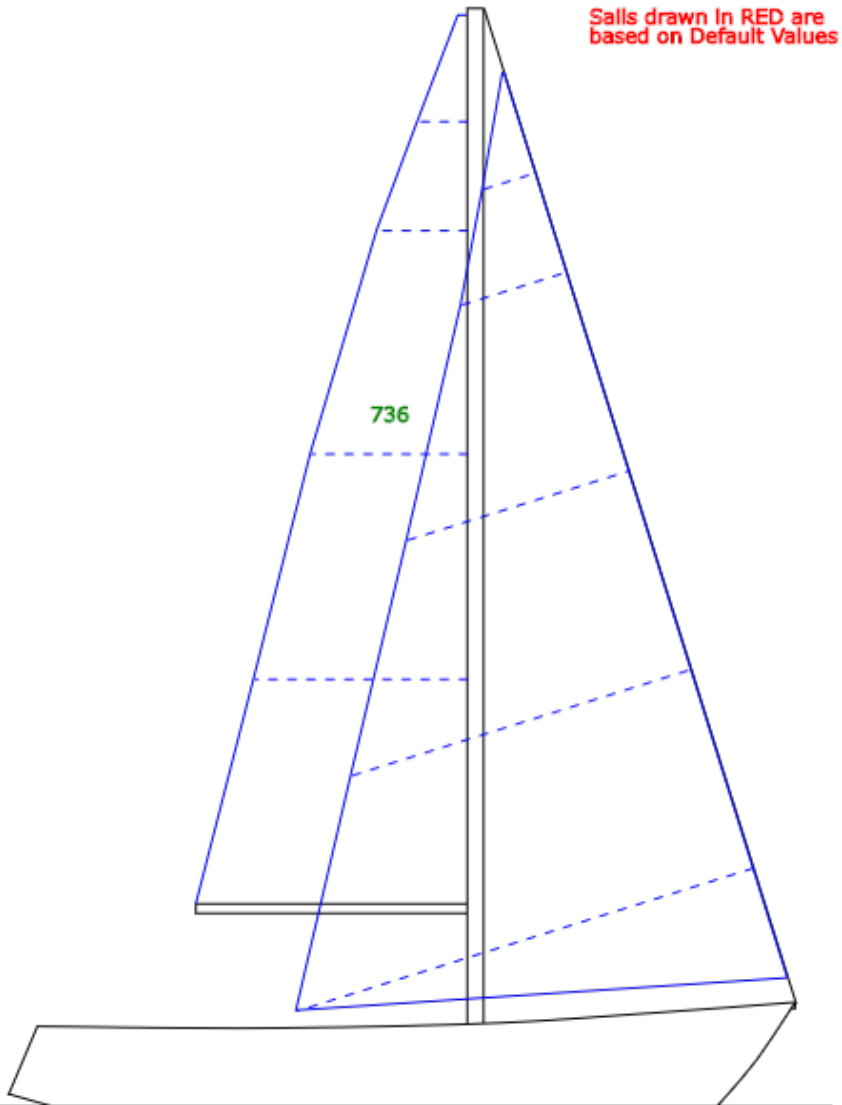
Non-Spin **GPH: 0.707 / 748.8** **IR#: 0.739 / 725.4** **PHRF BM: 189.2**

Class: Catalina 34
 Configuration:
 Sail Number: 736
 Year Built: 1987
 Builder: Catalina Yachts
 Owner(s): McManus, Eric

Certificate #: EZ11941
 Valid Year: 2024
 Type: New Cert
 Issue Date: 2024-04-23
 Exp.Date: 2024-12-31
 Offsets_file: US19040.OFF
 Cert Group: ORR-Ez SOCAL
 Comment:

Rig Type: Sloop
 Forestay: Masthead
 Keel Type: Fin
 Prop Type: Folding
 Prop Install: Exposed
 Prop Blades: 2

LOA: 34.00 ft
 LWL: 29.83 ft
 Rated Length: 29.67 ft
 Beam Max: 11.63 ft
 Draft: 5.33 ft
 Disp Empty: 13596 lbs
 Disp Sailing: 15307 lbs
 Crew: 1388 lbs
 Water Ballast: 0 lbs
 Wetted Area: 275.1 ft²
 LPS: 112.1 °
 RM20: 848.7 ft-lbs
 Stab Index: 114 °



Spinnaker: None
 Genoa/Jib Leech: Has Roach or Hollow
 Large Roach Headsail: No
 Jib Furler: Yes Above Deck
 Main Roller Furling: Yes In Boom

Rig Dimensions
 IG: 44.00 ft
 J: 13.50 ft
 P: 38.50 ft
 E: 11.75 ft

Mainsail Meas.
 HB: 0.41 ft
 MGT: 2.15 ft
 MGU: 3.92 ft
 MGM: 6.79 ft
 MGL: 9.25 ft
 Area: 252.8 ft²

Jib/Genoa Meas.
 LP: 20.73 ft
 LPG %: 153.6 %
 J Luff: 42.16 ft
 J Leech: 42.42 ft
 JH: 0.08 ft
 JMGT: 2.40 ft
 JMGU: 4.79 ft
 JMGM: 10.07 ft
 JMGL: 15.42 ft
 Area: 427.4 ft²

Awesome Catalina 34 736

Spinnaker

There is no declared Spinnaker for this boat.

Non-Spinnaker

Polar Time Allowances

True Wind Speed	4 kts	6 kts	8 kts	10 kts	12 kts	16 kts	20 kts	24 kts
Opt Beat Angle	49.3	47.2	44.4	44.7	43.0	40.5	39.5	39.8
Beat VMG	1,885.01	1,334.62	1,067.17	940.68	865.70	796.76	767.49	760.76
52°	1,146.64	826.47	674.59	603.43	570.14	542.01	529.61	525.44
60°	1,014.86	742.59	617.17	567.31	540.56	517.37	507.18	503.58
75°	903.48	672.96	571.77	534.38	511.12	487.02	477.97	474.30
90°	893.12	667.54	569.67	533.24	510.36	478.95	461.60	456.12
110°	1,014.97	748.35	627.78	566.74	536.24	496.58	468.60	446.54
120°	1,208.50	861.20	693.72	605.27	558.75	510.39	478.15	452.93
135°	1,597.23	1,078.72	819.73	688.47	605.27	529.25	489.40	459.86
150°	1,830.76	1,216.26	909.04	743.76	646.53	543.12	497.31	465.24
165°	1,869.64	1,252.96	944.66	767.33	661.22	545.50	495.34	460.72
Run VMG	1,885.61	1,263.65	952.71	773.89	667.10	550.93	500.74	466.33
Opt Run Angle	171.6	171.7	171.8	171.8	171.9	173.1	173.7	173.6

Benchmark Ratings

	TOT (Non-Spin)	TOD (Non-Spin)
GPH	0.707	748.8
IR#	0.739	725.4

Performance Metrics

SA/D:	17.66
D/Length:	261.7
Perf Screen:	6.7

PCS Ratings

	4 kts	6 kts	8 kts	10 kts	12 kts	16 kts	20 kts	24 kts
RANDOM LEG	1,516.7	1,065.8	845.0	725.4	654.0	581.2	548.1	531.1
W50/L50	1,905.5	1,318.0	1,027.0	869.9	776.9	681.7	640.6	619.7
W60/L40	1,907.2	1,326.3	1,039.6	886.8	797.1	706.4	667.5	649.5
MOSTLY WW	1,931.8	1,361.2	1,082.4	933.2	844.9	758.0	723.2	713.2
MOSTLY LW	1,685.2	1,163.8	905.4	759.5	670.4	573.9	526.1	496.3
MOSTLY REACH	1,388.6	981.2	782.8	676.4	613.8	550.8	521.6	505.0

Awesome Catalina 34 736

Spinnaker

There is no declared Spinnaker for this boat.

Non-Spinnaker

Standard 5 Winds

	TOT (Non-Spin)					TOD (Non-Spin)				
	V.Light <5	Light 5-7	Lt/Med 7-9	Medium 9-15	Heavy >15	V.Light <5	Light 5-7	Lt/Med 7-9	Medium 9-15	Heavy >15
RANDOM LEG	0.343	0.455	0.592	0.732	0.940	1,516.7	1,142.5	878.7	710.5	553.5
W50/L50	0.333	0.448	0.592	0.746	0.981	1,905.6	1,416.9	1,071.6	850.8	647.3
W60/L40	0.340	0.455	0.597	0.746	0.960	1,907.2	1,424.3	1,084.2	868.8	674.5
MOSTLY WW	0.356	0.471	0.610	0.751	0.939	1,931.8	1,458.5	1,125.6	915.5	731.5
MOSTLY LW	0.314	0.423	0.561	0.715	0.994	1,685.2	1,251.5	942.9	739.4	532.1
MOSTLY REACH	0.350	0.462	0.597	0.731	0.923	1,388.6	1,050.9	813.5	663.8	525.8

Standard Single Wind

	TOT (Non-Spin) Single	TOD (Non-Spin) Single
RANDOM LEG	0.706	736.6
W50/L50	0.717	885.7
W60/L40	0.717	903.9
MOSTLY WW	0.723	950.5
MOSTLY LW	0.690	766.5
MOSTLY REACH	0.706	687.8

Legacy 4 Winds

	TOT (Non-Spin)				TOD (Non-Spin)			
	V.Light	Light	Medium	Heavy	V.Light	Light	Medium	Heavy
RANDOM LEG	0.317	0.519	0.725	0.871	1,516.7	925.5	662.8	552.1
W50/L50	0.309	0.519	0.746	0.911	1,905.6	1,133.2	788.2	645.6
W60/L40	0.315	0.525	0.743	0.893	1,907.2	1,144.7	808.2	672.7
MOSTLY WW	0.326	0.531	0.735	0.863	1,931.8	1,184.5	856.1	729.4
MOSTLY LW	0.288	0.487	0.714	0.916	1,685.2	998.2	680.6	530.6
MOSTLY REACH	0.324	0.527	0.725	0.859	1,388.6	855.4	621.6	524.7

Awesome Catalina 34 736

Spinnaker

There is no declared Spinnaker for this boat.

Non-Spinnaker

PHRF Benchmark

189.2

Aligned Ratings are based on the Farr 40 MH as Scratch Boat.

PHRF Single Wind

RANDOM LEG	216.2
W50/L50	251.0
W60/L40	256.1
MOSTLY WW	263.4
MOSTLY LW	237.7
MOSTLY REACH	202.3

PHRF 5 Winds

	V.Light <5	Light 5-7	Lt/Med 7-9	Medium 9-15	Heavy >15
RANDOM LEG	527.9	380.3	274.0	202.9	150.5
W50/L50	698.1	488.3	335.2	231.2	159.4
W60/L40	687.7	485.8	338.7	237.9	164.4
MOSTLY WW	625.2	456.5	335.0	251.5	177.2
MOSTLY LW	623.4	440.5	308.4	220.5	161.1
MOSTLY REACH	481.8	348.9	253.0	189.7	144.2