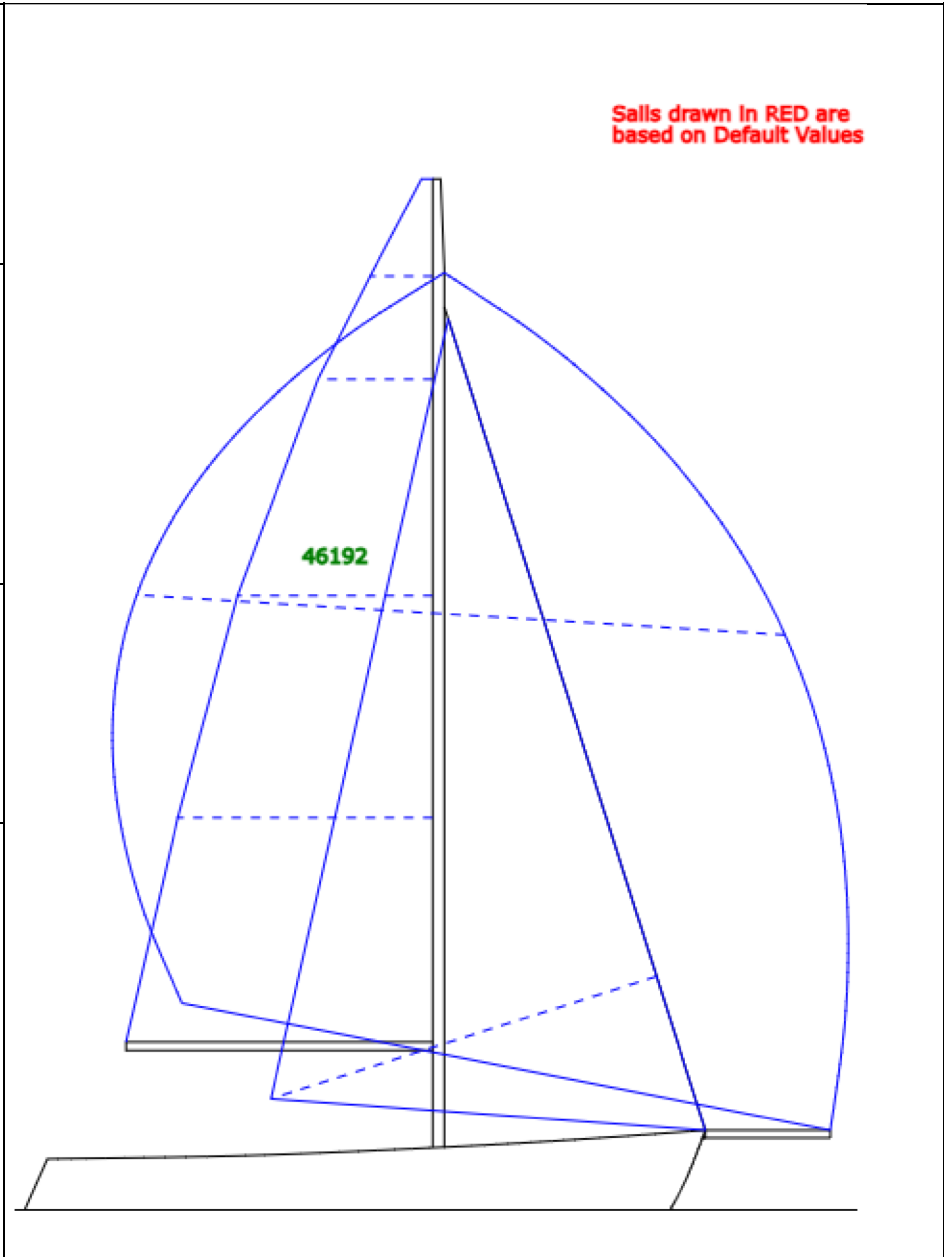


Fandango J/92 46192

Spinnaker	GPH: 0.844 / 627.8	IR#: 0.849 / 631.5	PHRF BM: 95.3
Non-Spin	GPH: 0.793 / 668.0	IR#: 0.829 / 647.0	PHRF BM: 110.8

Class:	J/92
Configuration:	
Sail Number:	46192
Year Built:	1993
Builder:	TPI
Owner(s):	Bennett, Scott
Certificate #:	EZ11615-1
Valid Year:	2024
Type:	Mid Seas Change
Issue Date:	2024-06-03
Exp. Date:	2024-12-31
Offsets_file:	H194.OFF
Cert Group:	ORR-Ez SOCAL
Comment:	
Rig Type:	Sloop
Forestay:	Fractional
Keel Type:	Fin with Bulb
Prop Type:	Folding
Prop Install:	Strut Drive
Prop Blades:	2
LOA:	29.99 ft
LWL:	25.80 ft
Rated Length:	27.87 ft
Beam Max:	9.95 ft
Draft:	6.00 ft
Disp Empty:	6177 lbs
Disp Sailing:	7568 lbs
Crew:	1000 lbs
Water Ballast:	0 lbs
Wetted Area:	203.3 ft ²
LPS:	114.3 °
RM20:	421.8 ft·lbs
Stab Index:	110 °



Spinnaker:	Asymmetrical tacked centerline on bow, sprit or prod
Genoa/Jib Leech:	No Roach - Leech is straight
Large Roach Headsail:	No
Jib Furler:	No
Main Roller Furling:	No

Rig Dimensions	Mainsail Meas.	Jib/Genoa Meas.	Asymmetric Spin. Meas.
IG: 37.00 ft	HB: 0.49 ft	LP: 17.81 ft	ASLU: 45.34 ft
ISP: 38.50 ft	MGT: 2.76 ft	LPG %: 154.9 %	ASLE: 38.62 ft
J: 11.50 ft	MGU: 5.05 ft	J Luff: 37.46 ft	AMG: 28.54 ft
P: 38.00 ft	MGM: 8.60 ft	J Leech: 35.19 ft	ASF: 28.54 ft
E: 13.50 ft	MGL: 11.22 ft	Area: 333.7 ft ²	Area: 998.5 ft ²
TPS: 17.00 ft	Area: 308.6 ft ²		

Spinnaker

Polar Time Allowances

True Wind Speed	4 kts	6 kts	8 kts	10 kts	12 kts	16 kts	20 kts	24 kts
Opt Beat Angle	45.2	44.3	43.1	39.9	37.7	35.7	35.3	35.7
Beat VMG	1,476.98	1,064.77	869.29	784.66	743.57	707.19	694.65	690.75
52°	935.04	688.81	577.21	543.58	527.56	511.63	503.24	499.06
60°	847.50	640.38	554.22	524.79	510.46	495.23	485.88	479.73
75°	784.84	601.07	529.60	502.26	484.70	462.62	449.73	441.28
90°	727.91	565.24	507.56	480.99	462.17	435.91	419.09	407.52
110°	729.48	563.97	503.35	467.84	444.55	410.38	383.03	364.92
120°	753.03	581.78	518.76	482.37	452.11	401.55	368.21	347.94
135°	957.35	687.46	569.21	523.48	490.55	434.88	373.11	320.92
150°	1,172.51	840.55	681.76	589.88	536.85	473.44	422.38	364.77
165°	1,307.76	937.51	760.41	657.94	588.09	507.29	455.63	407.03
Run VMG	1,353.89	970.59	787.23	681.15	608.84	515.59	460.98	412.58
Opt Run Angle	134.7	137.1	140.4	150.2	159.3	173.0	172.6	171.5

Benchmark Ratings

	TOT (Spin)	TOD (Spin)
GPH	0.844	627.8
IR#	0.849	631.5

Performance Metrics

SA/D Dnwind:	54.260
SA/D Average:	40.27
SA/D Upwind:	26.270
D/Length:	156.0
Ave Perf Screen:	25.800
DnWind Perf	34.8
Screen:	

PCS Ratings

	4 kts	6 kts	8 kts	10 kts	12 kts	16 kts	20 kts	24 kts
RANDOM LEG	1,174.8	847.5	692.5	611.1	564.0	513.5	483.9	461.6
W50/L50	1,446.6	1,038.6	843.9	743.5	684.4	618.1	583.2	556.8
W60/L40	1,458.6	1,048.3	852.8	754.3	698.1	637.4	606.9	584.9
MOSTLY WW	1,546.1	1,107.9	898.2	789.8	729.4	674.0	652.2	642.1
MOSTLY LW	1,268.3	906.2	732.2	634.8	573.4	498.5	452.5	418.5
MOSTLY REACH	1,077.3	781.7	643.0	572.0	531.0	485.9	456.9	435.2

Non-Spinnaker

Polar Time Allowances

True Wind Speed	4 kts	6 kts	8 kts	10 kts	12 kts	16 kts	20 kts	24 kts
Opt Beat Angle	45.2	44.3	43.1	39.9	37.7	35.7	35.3	35.7
Beat VMG	1,476.98	1,064.77	869.29	784.66	743.57	707.19	694.65	690.75
52°	935.04	688.81	577.21	543.58	527.56	511.63	503.24	499.06
60°	847.50	640.38	554.22	524.79	510.46	495.23	486.63	481.84
75°	779.58	601.07	534.47	502.43	488.18	471.28	460.75	453.28
90°	773.33	597.45	532.71	497.88	473.52	452.20	438.43	427.83
110°	867.62	654.15	564.55	525.56	496.91	450.51	417.29	402.24
120°	1,001.64	730.09	603.94	551.41	518.28	468.71	425.46	394.50
135°	1,347.76	930.93	724.35	614.88	557.59	493.87	446.88	402.05
150°	1,656.47	1,105.18	829.51	687.02	595.69	512.46	461.79	416.31
165°	1,683.34	1,136.40	863.21	706.96	606.71	511.85	456.16	407.03
Run VMG	1,707.62	1,151.96	874.36	715.25	613.35	517.13	461.49	412.58
Opt Run Angle	172.1	172.1	172.2	172.2	172.3	173.0	172.6	171.5

Benchmark Ratings

	TOT (Non-Spin)	TOD (Non-Spin)
GPH	0.793	668.0
IR#	0.829	647.0

Performance Metrics

SA/D:	26.27
D/Length:	156.0
Perf Screen:	16.8

PCS Ratings

	4 kts	6 kts	8 kts	10 kts	12 kts	16 kts	20 kts	24 kts
RANDOM LEG	1,303.7	927.1	745.1	648.2	591.5	533.7	503.7	483.0
W50/L50	1,611.6	1,126.3	887.6	761.1	688.3	618.6	583.5	556.9
W60/L40	1,590.0	1,118.5	887.9	768.5	701.3	637.8	607.1	585.0
MOSTLY WW	1,576.9	1,125.9	908.9	796.1	733.0	676.0	654.2	644.3
MOSTLY LW	1,488.1	1,035.5	812.2	688.3	611.5	525.7	475.4	437.6
MOSTLY REACH	1,201.4	860.7	697.7	611.8	562.3	510.8	482.4	462.7

Fandango J/92 46192

Spinnaker

Standard 5 Winds

	TOT (Spin)					TOD (Spin)				
	V.Light <5	Light 5-7	Lt/Med 7-9	Medium 9-15	Heavy >15	V.Light <5	Light 5-7	Lt/Med 7-9	Medium 9-15	Heavy >15
RANDOM LEG	0.443	0.575	0.726	0.865	1.070	1,174.9	905.0	717.1	601.6	486.3
W50/L50	0.439	0.572	0.725	0.869	1.083	1,446.5	1,109.7	875.3	730.7	586.0
W60/L40	0.444	0.578	0.732	0.872	1.062	1,458.6	1,119.9	885.2	743.3	609.7
MOSTLY WW	0.444	0.580	0.737	0.881	1.047	1,546.1	1,184.1	932.0	779.8	656.1
MOSTLY LW	0.417	0.546	0.698	0.854	1.158	1,268.3	968.9	757.7	619.1	456.5
MOSTLY REACH	0.451	0.582	0.729	0.861	1.057	1,077.3	834.0	665.6	563.6	459.3

Standard Single Wind

	TOT (Spin) Single	TOD (Spin) Single
RANDOM LEG	0.841	618.8
W50/L50	0.844	751.9
W60/L40	0.845	766.3
MOSTLY WW	0.850	808.6
MOSTLY LW	0.836	632.9
MOSTLY REACH	0.839	578.4

Legacy 4 Winds

	TOT (Spin)				TOD (Spin)			
	V.Light	Light	Medium	Heavy	V.Light	Light	Medium	Heavy
RANDOM LEG	0.409	0.641	0.844	0.990	1,174.9	749.7	569.5	485.7
W50/L50	0.407	0.642	0.851	1.005	1,446.5	916.1	690.9	585.3
W60/L40	0.412	0.649	0.852	0.986	1,458.6	925.9	704.6	609.0
MOSTLY WW	0.407	0.645	0.853	0.961	1,546.1	976.0	737.6	655.1
MOSTLY LW	0.383	0.612	0.839	1.067	1,268.3	794.9	579.4	455.5
MOSTLY REACH	0.418	0.649	0.841	0.982	1,077.3	694.6	535.6	458.7

Non-Spinnaker

Standard 5 Winds

	TOT (Non-Spin)					TOD (Non-Spin)				
	V.Light <5	Light 5-7	Lt/Med 7-9	Medium 9-15	Heavy >15	V.Light <5	Light 5-7	Lt/Med 7-9	Medium 9-15	Heavy >15
RANDOM LEG	0.399	0.525	0.673	0.817	1.027	1,303.7	992.0	773.5	636.9	506.8
W50/L50	0.394	0.525	0.686	0.849	1.083	1,611.6	1,208.5	925.0	747.6	586.3
W60/L40	0.407	0.540	0.700	0.856	1.062	1,590.0	1,198.8	925.0	756.8	610.0
MOSTLY WW	0.436	0.571	0.728	0.875	1.044	1,576.9	1,203.9	943.6	785.6	658.1
MOSTLY LW	0.355	0.476	0.626	0.789	1.103	1,488.1	1,111.9	845.3	670.1	479.6
MOSTLY REACH	0.404	0.528	0.671	0.806	1.000	1,201.4	919.9	723.4	602.1	485.3

Standard Single Wind

	TOT (Non-Spin) Single	TOD (Non-Spin) Single
RANDOM LEG	0.791	658.2
W50/L50	0.816	777.6
W60/L40	0.823	786.8
MOSTLY WW	0.842	815.7
MOSTLY LW	0.765	691.4
MOSTLY REACH	0.782	621.0

Legacy 4 Winds

	TOT (Non-Spin)				TOD (Non-Spin)			
	V.Light	Light	Medium	Heavy	V.Light	Light	Medium	Heavy
RANDOM LEG	0.369	0.592	0.803	0.950	1,303.7	811.9	598.5	506.0
W50/L50	0.365	0.603	0.843	1.004	1,611.6	975.3	697.8	585.6
W60/L40	0.378	0.617	0.846	0.986	1,590.0	973.3	710.1	609.3
MOSTLY WW	0.399	0.636	0.848	0.958	1,576.9	989.2	741.7	657.2
MOSTLY LW	0.327	0.544	0.784	1.016	1,488.1	892.9	620.0	478.5
MOSTLY REACH	0.375	0.595	0.793	0.930	1,201.4	757.7	568.2	484.6

Fandango J/92 46192

Spinnaker

PHRF Benchmark

95.3

Aligned Ratings are based on the Farr
 40 MH as Scratch Boat.

PHRF Single Wind

RANDOM LEG	98.4
W50/L50	117.2
W60/L40	118.5
MOSTLY WW	121.5
MOSTLY LW	104.1
MOSTLY REACH	92.9

PHRF 5 Winds

	V.Light <5	Light 5-7	Lt/Med 7-9	Medium 9-15	Heavy >15
RANDOM LEG	186.1	142.8	112.4	94.0	83.3
W50/L50	239.0	181.1	138.9	111.1	98.1
W60/L40	239.1	181.4	139.7	112.4	99.6
MOSTLY WW	239.5	182.1	141.4	115.8	101.8
MOSTLY LW	206.5	157.9	123.2	100.2	85.5
MOSTLY REACH	170.5	132.0	105.1	89.5	77.7

Non-Spinnaker

PHRF Benchmark

110.8

Aligned Ratings are based on the Farr
 40 MH as Scratch Boat.

PHRF Single Wind

RANDOM LEG	137.8
W50/L50	142.9
W60/L40	139.0
MOSTLY WW	128.6
MOSTLY LW	162.6
MOSTLY REACH	135.5

PHRF 5 Winds

	V.Light <5	Light 5-7	Lt/Med 7-9	Medium 9-15	Heavy >15
RANDOM LEG	314.9	229.8	168.8	129.3	103.8
W50/L50	404.1	279.9	188.6	128.0	98.4
W60/L40	370.5	260.3	179.5	125.9	99.9
MOSTLY WW	270.3	201.9	153.0	121.6	103.8
MOSTLY LW	426.3	300.9	210.8	151.2	108.6
MOSTLY REACH	294.6	217.9	162.9	128.0	103.7