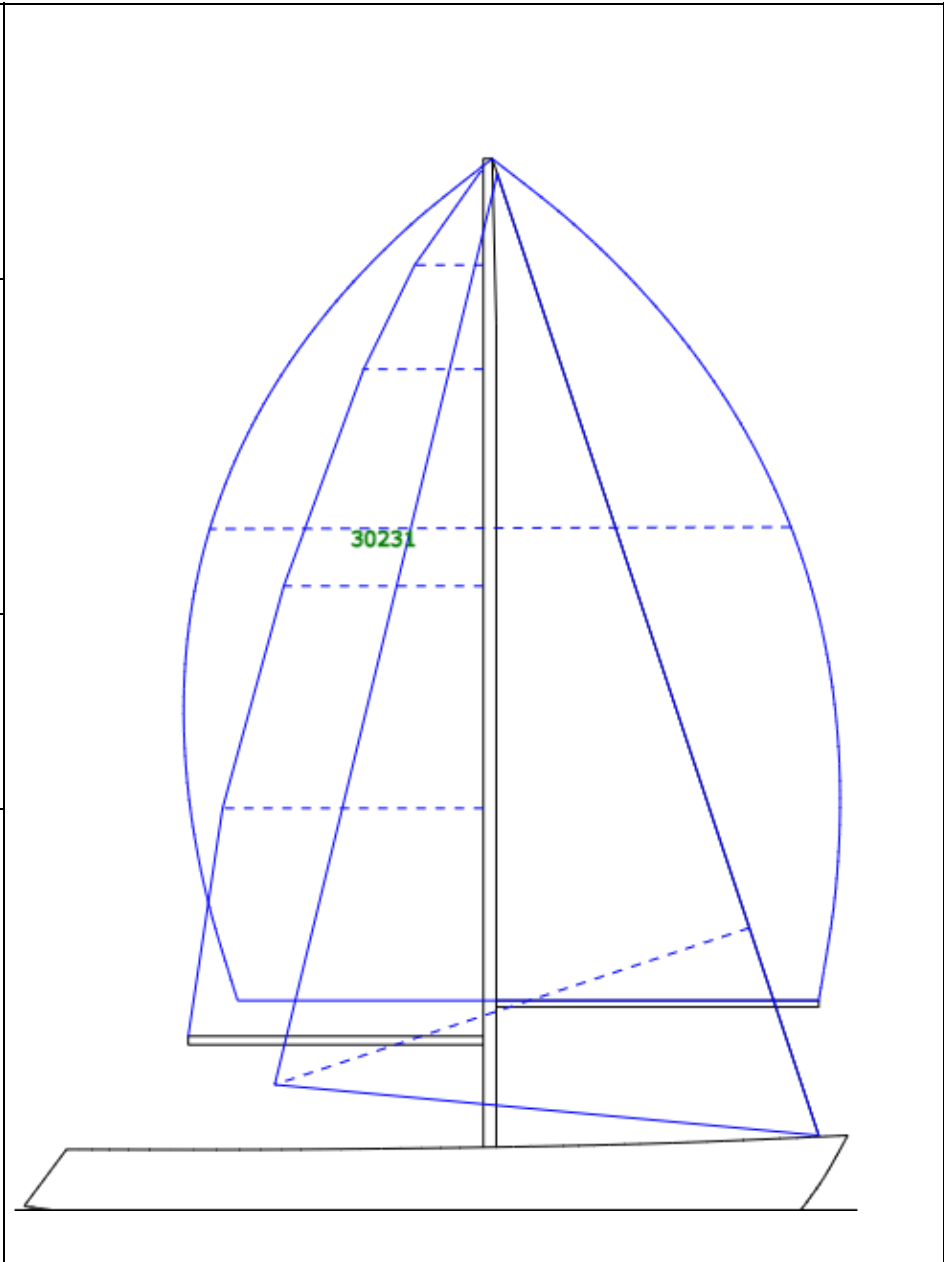


Vamos Olson 30 30231

| | | | |
|------------------|---------------------------|---------------------------|-----------------------|
| Spinnaker | GPH: 0.829 / 638.8 | IR#: 0.836 / 641.3 | PHRF BM: 105.1 |
| Non-Spin | GPH: 0.790 / 670.5 | IR#: 0.818 / 655.8 | PHRF BM: 119.6 |

| | |
|----------------|-----------------------|
| Class: | Olson 30 |
| Configuration: | One Design |
| Sail Number: | 30231 |
| Year Built: | 1984 |
| Builder: | Olson |
| Owner(s): | Allen, Brett |
| Certificate #: | EZ10931-OD-1 |
| Valid Year: | 2024 |
| Type: | OD Cert |
| Issue Date: | 2024-03-21 |
| Exp.Date: | 2024-12-31 |
| Offsets_file: | US990.OFF |
| Cert Group: | ORR-Ez SOCAL |
| Comment: | |
| Rig Type: | Sloop |
| Forestay: | Masthead |
| Keel Type: | Fixed |
| Prop Type: | None |
| LOA: | 30.03 ft |
| LWL: | 27.51 ft |
| Rated Length: | 27.89 ft |
| Beam Max: | 9.24 ft |
| Draft: | 4.97 ft |
| Disp Empty: | 3984 lbs |
| Disp Sailing: | 5117 lbs |
| Crew: | 1200 lbs |
| Water Ballast: | 0 lbs |
| Wetted Area: | 170.1 ft ² |
| LPS: | 109.1 ° |
| RM20: | 277.4 ft-lbs |
| Stab Index: | 101 ° |



| | |
|-----------------------|---------------------------------------|
| Spinnaker: | Symmetrical flown with spinnaker pole |
| Genoa/Jib Leech: | No Roach - Leech is straight |
| Large Roach Headsail: | No |
| Jib Furler: | No |
| Main Roller Furling: | No |

| Rig Dimensions | Mainsail Meas. | Jib/Genoa Meas. | Symmetric Spin. Meas. |
|----------------|-----------------------------|-----------------------------|-----------------------------|
| IG: 36.00 ft | HB: 0.10 ft | LP: 18.21 ft | SL: 35.97 ft |
| ISP: 36.00 ft | MGT: 2.50 ft | LPG %: 155.0 % | SMW: 21.17 ft |
| J: 11.75 ft | MGU: 4.36 ft | J Luff: 36.92 ft | SF: 21.17 ft |
| P: 31.50 ft | MGM: 7.27 ft | J Leech: 34.20 ft | Area: 634.6 ft ² |
| E: 10.75 ft | MGL: 9.50 ft | Area: 336.2 ft ² | |
| SPL: 11.75 ft | Area: 215.4 ft ² | | |

Spinnaker

Polar Time Allowances

| True Wind Speed | 4 kts | 6 kts | 8 kts | 10 kts | 12 kts | 16 kts | 20 kts | 24 kts |
|-----------------|----------|----------|--------|--------|--------|--------|--------|--------|
| Opt Beat Angle | 47.0 | 45.9 | 44.5 | 41.5 | 39.4 | 37.4 | 36.6 | 37.0 |
| Beat VMG | 1,556.02 | 1,117.04 | 907.49 | 814.81 | 767.41 | 723.68 | 708.02 | 706.87 |
| 52° | 966.81 | 706.34 | 585.94 | 546.48 | 525.78 | 505.20 | 496.89 | 494.27 |
| 60° | 859.05 | 644.45 | 552.55 | 520.26 | 502.25 | 483.06 | 474.57 | 471.19 |
| 75° | 774.79 | 592.81 | 521.63 | 490.25 | 472.76 | 450.17 | 434.20 | 424.16 |
| 90° | 777.07 | 586.61 | 507.06 | 473.70 | 451.00 | 418.37 | 396.11 | 381.36 |
| 110° | 774.43 | 584.88 | 505.87 | 463.26 | 432.29 | 388.68 | 354.92 | 333.67 |
| 120° | 811.41 | 609.91 | 524.27 | 481.43 | 445.93 | 379.31 | 338.90 | 312.33 |
| 135° | 1,096.90 | 757.48 | 591.89 | 529.77 | 489.69 | 422.51 | 346.77 | 288.47 |
| 150° | 1,343.43 | 927.69 | 721.60 | 604.86 | 538.48 | 463.68 | 400.30 | 333.46 |
| 165° | 1,498.40 | 1,034.70 | 804.85 | 674.63 | 588.36 | 495.29 | 434.31 | 371.19 |
| Run VMG | 1,551.26 | 1,071.21 | 833.24 | 698.43 | 609.12 | 511.52 | 449.14 | 384.29 |
| Opt Run Angle | 133.5 | 135.3 | 137.4 | 149.1 | 161.3 | 169.7 | 168.4 | 155.8 |

Benchmark Ratings

| | TOT (Spin) | TOD (Spin) |
|-----|------------|------------|
| GPH | 0.829 | 638.8 |
| IR# | 0.836 | 641.3 |

Performance Metrics

| | |
|------------------|--------|
| SA/D Dnwind: | 45.810 |
| SA/D Average: | 37.77 |
| SA/D Upwind: | 29.720 |
| D/Length: | 105.3 |
| Ave Perf Screen: | 35.900 |
| DnWind Perf | 43.5 |
| Screen: | |

PCS Ratings

| | 4 kts | 6 kts | 8 kts | 10 kts | 12 kts | 16 kts | 20 kts | 24 kts |
|--------------|---------|---------|-------|--------|--------|--------|--------|--------|
| RANDOM LEG | 1,239.9 | 883.9 | 712.4 | 621.0 | 566.5 | 507.0 | 471.9 | 446.4 |
| W50/L50 | 1,578.4 | 1,113.4 | 886.6 | 767.5 | 697.5 | 624.1 | 583.9 | 550.6 |
| W60/L40 | 1,579.7 | 1,118.7 | 894.8 | 779.6 | 713.5 | 645.6 | 610.2 | 583.2 |
| MOSTLY WW | 1,627.2 | 1,159.5 | 933.9 | 816.0 | 749.0 | 685.9 | 660.7 | 651.1 |
| MOSTLY LW | 1,366.2 | 959.0 | 759.5 | 647.0 | 575.1 | 488.5 | 433.8 | 389.4 |
| MOSTLY REACH | 1,125.9 | 807.4 | 655.1 | 575.7 | 528.4 | 475.4 | 441.3 | 416.7 |

Non-Spinnaker

Polar Time Allowances

| True Wind Speed | 4 kts | 6 kts | 8 kts | 10 kts | 12 kts | 16 kts | 20 kts | 24 kts |
|-----------------|----------|----------|--------|--------|--------|--------|--------|--------|
| Opt Beat Angle | 47.0 | 45.9 | 44.5 | 41.5 | 39.4 | 37.4 | 36.6 | 37.0 |
| Beat VMG | 1,556.02 | 1,117.04 | 907.49 | 814.81 | 767.41 | 723.68 | 708.02 | 706.87 |
| 52° | 966.81 | 706.34 | 585.94 | 546.48 | 525.78 | 505.20 | 496.89 | 494.27 |
| 60° | 859.05 | 644.45 | 552.55 | 520.26 | 502.25 | 483.06 | 474.57 | 471.19 |
| 75° | 774.79 | 592.81 | 521.63 | 490.25 | 472.76 | 451.47 | 440.40 | 434.20 |
| 90° | 766.37 | 586.61 | 516.48 | 479.11 | 455.28 | 428.80 | 412.98 | 402.09 |
| 110° | 847.06 | 637.87 | 549.60 | 508.12 | 476.31 | 421.56 | 385.28 | 366.63 |
| 120° | 992.39 | 719.74 | 591.81 | 538.54 | 502.71 | 445.79 | 390.66 | 356.04 |
| 135° | 1,369.29 | 939.31 | 725.50 | 611.86 | 550.60 | 479.56 | 423.45 | 364.77 |
| 150° | 1,692.76 | 1,122.40 | 837.29 | 689.36 | 593.83 | 501.57 | 442.71 | 385.36 |
| 165° | 1,772.53 | 1,182.65 | 887.71 | 722.98 | 616.72 | 508.75 | 444.96 | 385.48 |
| Run VMG | 1,793.54 | 1,196.13 | 897.42 | 730.39 | 622.72 | 513.71 | 449.84 | 390.03 |
| Opt Run Angle | 172.0 | 172.1 | 172.1 | 172.2 | 172.1 | 172.6 | 172.0 | 170.9 |

Benchmark Ratings

| | TOT (Non-Spin) | TOD (Non-Spin) |
|-----|----------------|----------------|
| GPH | 0.790 | 670.5 |
| IR# | 0.818 | 655.8 |

Performance Metrics

| | |
|--------------|-------|
| SA/D: | 29.72 |
| D/Length: | 105.3 |
| Perf Screen: | 28.2 |

PCS Ratings

| | 4 kts | 6 kts | 8 kts | 10 kts | 12 kts | 16 kts | 20 kts | 24 kts |
|--------------|---------|---------|-------|--------|--------|--------|--------|--------|
| RANDOM LEG | 1,329.5 | 941.0 | 752.1 | 650.6 | 590.0 | 525.9 | 491.3 | 467.5 |
| W50/L50 | 1,690.6 | 1,174.1 | 918.9 | 783.8 | 704.9 | 625.3 | 584.4 | 553.6 |
| W60/L40 | 1,669.0 | 1,167.3 | 920.7 | 792.7 | 719.4 | 646.5 | 610.6 | 585.7 |
| MOSTLY WW | 1,645.1 | 1,170.2 | 940.7 | 820.3 | 751.7 | 687.5 | 662.6 | 653.9 |
| MOSTLY LW | 1,523.0 | 1,053.8 | 821.4 | 691.8 | 609.9 | 515.1 | 456.5 | 412.2 |
| MOSTLY REACH | 1,213.0 | 864.8 | 697.0 | 607.6 | 554.6 | 497.5 | 464.8 | 441.2 |

Vamos Olson 30 30231

Spinnaker

Standard 5 Winds

| | TOT (Spin) | | | | | TOD (Spin) | | | | |
|--------------|---------------|--------------|---------------|----------------|--------------|---------------|--------------|---------------|----------------|--------------|
| | V.Light <5 | Light 5-7 | Lt/Med 7-9 | Medium 9-15 | Heavy >15 | V.Light <5 | Light 5-7 | Lt/Med 7-9 | Medium 9-15 | Heavy >15 |
| RANDOM LEG | 0.420 | 0.551 | 0.704 | 0.854 | 1.096 | 1,239.9 | 945.4 | 739.1 | 609.2 | 475.1 |
| W50/L50 | 0.402 | 0.532 | 0.688 | 0.843 | 1.083 | 1,578.5 | 1,192.8 | 922.5 | 753.1 | 586.2 |
| W60/L40 | 0.410 | 0.541 | 0.696 | 0.845 | 1.057 | 1,579.7 | 1,197.7 | 931.1 | 766.8 | 613.0 |
| MOSTLY WW | 0.422 | 0.554 | 0.708 | 0.854 | 1.032 | 1,627.2 | 1,240.2 | 969.8 | 804.1 | 665.9 |
| MOSTLY LW | 0.387 | 0.514 | 0.671 | 0.842 | 1.210 | 1,366.2 | 1,028.2 | 788.5 | 628.4 | 437.2 |
| MOSTLY REACH | 0.431 | 0.563 | 0.715 | 0.859 | 1.092 | 1,125.9 | 862.8 | 679.4 | 565.3 | 444.5 |

Standard Single Wind

| | TOT (Spin) Single | TOD (Spin) Single |
|--------------|----------------------|----------------------|
| RANDOM LEG | 0.830 | 627.1 |
| W50/L50 | 0.815 | 778.8 |
| W60/L40 | 0.816 | 793.7 |
| MOSTLY WW | 0.824 | 834.2 |
| MOSTLY LW | 0.821 | 643.8 |
| MOSTLY REACH | 0.836 | 580.6 |

Legacy 4 Winds

| | TOT (Spin) | | | | TOD (Spin) | | | |
|--------------|------------|-------|--------|-------|------------|---------|--------|-------|
| | V.Light | Light | Medium | Heavy | V.Light | Light | Medium | Heavy |
| RANDOM LEG | 0.388 | 0.620 | 0.840 | 1.014 | 1,239.9 | 775.3 | 572.7 | 474.3 |
| W50/L50 | 0.373 | 0.606 | 0.833 | 1.004 | 1,578.5 | 970.2 | 705.8 | 585.6 |
| W60/L40 | 0.380 | 0.614 | 0.832 | 0.981 | 1,579.7 | 978.0 | 721.5 | 612.3 |
| MOSTLY WW | 0.387 | 0.619 | 0.830 | 0.947 | 1,627.2 | 1,017.2 | 757.8 | 664.6 |
| MOSTLY LW | 0.356 | 0.585 | 0.835 | 1.114 | 1,366.2 | 831.2 | 582.2 | 436.4 |
| MOSTLY REACH | 0.400 | 0.633 | 0.844 | 1.015 | 1,125.9 | 711.4 | 533.6 | 443.7 |

Non-Spinnaker

Standard 5 Winds

| | TOT (Non-Spin) | | | | | TOD (Non-Spin) | | | | |
|--------------|----------------|--------------|---------------|----------------|--------------|----------------|--------------|---------------|----------------|--------------|
| | V.Light <5 | Light 5-7 | Lt/Med 7-9 | Medium 9-15 | Heavy >15 | V.Light <5 | Light 5-7 | Lt/Med 7-9 | Medium 9-15 | Heavy >15 |
| RANDOM LEG | 0.392 | 0.517 | 0.666 | 0.816 | 1.052 | 1,329.5 | 1,007.5 | 781.2 | 637.7 | 494.9 |
| W50/L50 | 0.375 | 0.503 | 0.662 | 0.826 | 1.080 | 1,690.6 | 1,261.2 | 958.9 | 768.2 | 587.8 |
| W60/L40 | 0.388 | 0.517 | 0.675 | 0.832 | 1.055 | 1,669.0 | 1,252.3 | 960.3 | 778.9 | 614.3 |
| MOSTLY WW | 0.418 | 0.549 | 0.703 | 0.850 | 1.029 | 1,645.1 | 1,252.0 | 977.1 | 808.1 | 668.0 |
| MOSTLY LW | 0.347 | 0.467 | 0.618 | 0.788 | 1.146 | 1,523.0 | 1,132.7 | 855.7 | 671.4 | 461.3 |
| MOSTLY REACH | 0.400 | 0.525 | 0.671 | 0.814 | 1.038 | 1,213.0 | 924.9 | 723.1 | 596.3 | 467.8 |

Standard Single Wind

| | TOT (Non-Spin) Single | TOD (Non-Spin) Single |
|--------------|--------------------------|--------------------------|
| RANDOM LEG | 0.790 | 658.5 |
| W50/L50 | 0.795 | 798.6 |
| W60/L40 | 0.800 | 809.5 |
| MOSTLY WW | 0.819 | 838.8 |
| MOSTLY LW | 0.765 | 691.4 |
| MOSTLY REACH | 0.790 | 614.4 |

Legacy 4 Winds

| | TOT (Non-Spin) | | | | TOD (Non-Spin) | | | |
|--------------|----------------|-------|--------|-------|----------------|---------|--------|-------|
| | V.Light | Light | Medium | Heavy | V.Light | Light | Medium | Heavy |
| RANDOM LEG | 0.362 | 0.585 | 0.805 | 0.973 | 1,329.5 | 821.2 | 597.2 | 494.0 |
| W50/L50 | 0.348 | 0.581 | 0.823 | 1.002 | 1,690.6 | 1,012.7 | 714.7 | 586.9 |
| W60/L40 | 0.360 | 0.593 | 0.824 | 0.979 | 1,669.0 | 1,012.0 | 728.6 | 613.3 |
| MOSTLY WW | 0.383 | 0.614 | 0.827 | 0.944 | 1,645.1 | 1,025.3 | 760.8 | 666.7 |
| MOSTLY LW | 0.319 | 0.537 | 0.786 | 1.057 | 1,523.0 | 905.2 | 618.5 | 460.1 |
| MOSTLY REACH | 0.371 | 0.594 | 0.803 | 0.964 | 1,213.0 | 758.5 | 560.7 | 467.1 |

Vamos Olson 30 30231

Spinnaker

PHRF Benchmark

105.1

Aligned Ratings are based on the Farr 40 MH as Scratch Boat.

PHRF Single Wind

| | |
|--------------|-------|
| RANDOM LEG | 106.6 |
| W50/L50 | 144.1 |
| W60/L40 | 145.9 |
| MOSTLY WW | 147.1 |
| MOSTLY LW | 115.0 |
| MOSTLY REACH | 95.1 |

PHRF 5 Winds

| | V.Light <5 | Light 5-7 | Lt/Med 7-9 | Medium 9-15 | Heavy >15 |
|--------------|---------------|--------------|---------------|----------------|--------------|
| RANDOM LEG | 251.0 | 183.2 | 134.4 | 101.5 | 72.0 |
| W50/L50 | 371.0 | 264.2 | 186.1 | 133.5 | 98.3 |
| W60/L40 | 360.2 | 259.2 | 185.6 | 135.9 | 102.9 |
| MOSTLY WW | 320.6 | 238.2 | 179.2 | 140.1 | 111.6 |
| MOSTLY LW | 304.4 | 217.2 | 154.0 | 109.5 | 66.2 |
| MOSTLY REACH | 219.1 | 160.8 | 118.9 | 91.2 | 62.9 |

Non-Spinnaker

PHRF Benchmark

119.6

Aligned Ratings are based on the Farr 40 MH as Scratch Boat.

PHRF Single Wind

| | |
|--------------|-------|
| RANDOM LEG | 138.0 |
| W50/L50 | 163.9 |
| W60/L40 | 161.7 |
| MOSTLY WW | 151.7 |
| MOSTLY LW | 162.6 |
| MOSTLY REACH | 128.9 |

PHRF 5 Winds

| | V.Light <5 | Light 5-7 | Lt/Med 7-9 | Medium 9-15 | Heavy >15 |
|--------------|---------------|--------------|---------------|----------------|--------------|
| RANDOM LEG | 340.6 | 245.3 | 176.5 | 130.0 | 91.8 |
| W50/L50 | 483.1 | 332.6 | 222.5 | 148.6 | 99.9 |
| W60/L40 | 449.5 | 313.8 | 214.8 | 148.0 | 104.2 |
| MOSTLY WW | 338.5 | 250.0 | 186.5 | 144.1 | 113.7 |
| MOSTLY LW | 461.2 | 321.7 | 221.2 | 152.5 | 90.3 |
| MOSTLY REACH | 306.2 | 222.9 | 162.6 | 122.2 | 86.2 |