

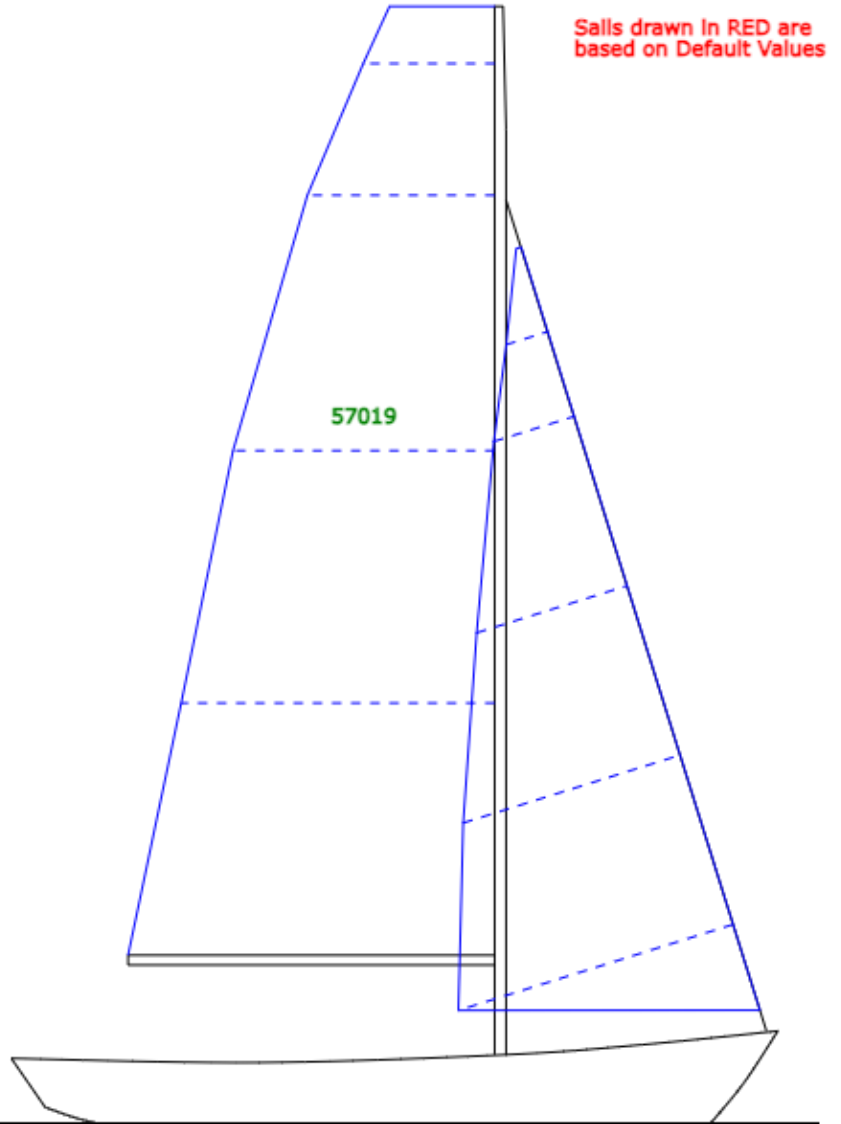
Zealot Alerion 38 57019

Class: Alerion 38
 Configuration:
 Sail Number: 57019
 Year Built: 2006
 Builder: TPI
 Owner(s): Garber, Don

Certificate #: EZ11791-SH
 Valid Year: 2023
 Type: New Cert
 Issue Date: 2023-09-20
 Exp.Date: 2023-12-31
 Offsets_file: ae38dk.off
 Cert Group: ORR-Ez SOCAL
 Comment:

Rig Type: Sloop
 Forestay: Fractional
 Keel Type: Fin with Bulb
 Prop Type: Folding
 Prop Install: Exposed
 Prop Blades: 2

LOA: 38.41 ft
 LWL: 30.10 ft
 Rated Length: 31.33 ft
 Beam Max: 10.73 ft
 Draft: 7.34 ft
 Disp Empty: 11193 lbs
 Disp Sailing: 12860 lbs
 Crew: 150 lbs
 Water Ballast: 0 lbs
 Wetted Area: 293.3 ft²
 LPS: 111.4 °
 RM20: 850.1 ft-lbs
 Stab Index: 114 °



Spinnaker: None
 Code Zero: No
 Genoa/Jib Leech: Has Roach or Hollow
 Large Roach Headsail: No
 Jib Furler: Yes Above Deck
 Main Roller Furling: No

Rig Dimensions

IG: 42.70 ft
 J: 13.00 ft
 P: 47.40 ft
 E: 18.30 ft

Mainsail Meas.

HB: 5.25 ft
 MGT: 6.56 ft
 MGU: 9.35 ft
 MGM: 13.06 ft
 MGL: 15.65 ft
 Area: 607.1 ft²

Jib/Genoa Meas.

LP: 14.37 ft
 LPG %: 110.6 %
 J Luff: 40.98 ft
 J Leech: 39.11 ft
 JH: 0.26 ft
 JMGT: 2.17 ft
 JMGU: 4.20 ft
 JMGM: 7.87 ft
 JMGL: 11.35 ft
 Area: 315.6 ft²

Zealot Alerion 38 57019

Table of Time Allowances (sec/mile)* (at True Wind Angles)

True Wind Speed	4 kts	6 kts	8 kts	10 kts	12 kts	16 kts	20 kts	24 kts
Opt Beat Angle	44.9	43.7	42.2	39.7	38.1	36.7	35.8	35.4
Beat VMG	1,354.35	994.50	830.09	763.29	729.84	692.77	670.47	659.01
52°	861.95	646.39	553.97	529.77	515.80	497.09	485.73	479.01
60°	784.40	601.84	531.58	511.92	499.02	481.59	470.63	463.74
75°	726.83	565.44	509.06	490.08	477.76	460.33	448.37	439.94
90°	721.49	561.25	505.26	476.31	463.14	444.19	430.09	419.02
110°	797.25	606.15	528.90	493.98	468.69	430.56	412.31	397.99
120°	909.85	668.24	557.90	514.03	485.16	442.61	407.80	392.48
135°	1,186.51	833.28	660.22	564.71	518.79	464.22	424.37	388.84
150°	1,497.75	1,010.90	767.71	637.48	555.55	482.96	439.08	401.24
165°	1,628.15	1,102.67	840.34	686.45	588.82	495.48	446.32	406.14
Run VMG	1,674.73	1,132.50	861.72	702.07	601.35	502.62	452.31	412.32
Opt Run Angle	171.5	171.6	171.8	172.1	172.1	174.3	174.8	173.9

* Sec/mile rating assume gybing downwind when target angles are deeper than best VMG angles.

Performance Metrics

SA/D Dnwind:	26.880
SA/D Average:	26.88
SA/D Upwind:	26.880
D/Length:	186.7
Ave Perf Screen:	14.400
DnWind Perf	14.4
Screen:	

Standard Ratings

	TOT (Spin)				TOD (Spin)			
	V.Light	Light	Medium	Heavy	V.Light	Light	Medium	Heavy
RANDOM LEG	0.392	0.622	0.832	0.978	1,220.5	768.9	575.0	489.3
W50/L50	0.382	0.622	0.858	1.029	1,535.2	942.1	683.0	569.5
W60/L40	0.398	0.639	0.861	1.012	1,504.9	936.8	694.9	591.6
MOSTLY WW	0.456	0.697	0.867	0.961	1,320.4	864.8	694.6	627.1
MOSTLY LW	0.355	0.584	0.821	1.027	1,332.0	809.0	575.3	459.8

Benchmark Ratings

	TOT (Spin)	TOD (Spin)
GPH	0.827	638.3
IR#	0.848	630.0

ORR-Ez PHRF

TOD (Spin)
93.7

ORR-Ez PHRF are based on the Farr 40 MH as Scratch Boat.

Standard PCS Ratings

	TOD (Spin)							
	4 kts	6 kts	8 kts	10 kts	12 kts	16 kts	20 kts	24 kts
RANDOM LEG	1,221.4	874.5	708.3	620.4	569.2	516.1	487.8	468.7
W50/L50	1,535.2	1,082.2	861.0	743.5	674.7	604.0	566.8	540.8
W60/L40	1,504.9	1,069.5	858.7	749.8	687.4	623.1	588.9	565.8
MOSTLY WW	1,320.4	965.0	800.8	728.5	690.3	648.9	624.6	610.3
MOSTLY LW	1,332.1	933.0	737.0	633.0	567.7	497.6	456.3	429.1
MOSTLY REACH								

ORR-Ez PHRF Time Allowance 4 Winds

	TOD (Spin)			
	V.Light	Light	Medium	Heavy
RANDOM LEG	230.1	135.6	93.1	85.7
W50/L50	328.3	173.7	96.3	83.1
W60/L40	288.8	162.2	98.8	86.1
MOSTLY WW	153.3	114.1	94.9	85.7
MOSTLY LW	387.5	189.1	97.5	85.7

Zealot Alerion 38 57019

Table of Time Allowances (sec/mile)* (at True Wind Angles)

True Wind Speed	4 kts	6 kts	8 kts	10 kts	12 kts	16 kts	20 kts	24 kts
Opt Beat Angle	44.9	43.7	42.2	39.7	38.1	36.7	35.8	35.4
Beat VMG	1,354.35	994.50	830.09	763.29	729.84	692.77	670.47	659.01
52°	861.95	646.39	553.97	529.77	515.80	497.09	485.73	479.01
60°	784.40	601.84	531.58	511.92	499.02	481.59	470.63	463.74
75°	726.83	565.44	509.06	490.08	477.76	460.33	448.37	439.94
90°	721.49	561.25	505.26	476.31	463.14	444.19	430.09	419.02
110°	797.25	606.15	528.90	493.98	468.69	430.56	412.31	397.99
120°	909.85	668.24	557.90	514.03	485.16	442.61	407.80	392.48
135°	1,186.51	833.28	660.22	564.71	518.79	464.22	424.37	388.84
150°	1,497.75	1,010.90	767.71	637.48	555.55	482.96	439.08	401.24
165°	1,628.15	1,102.67	840.34	686.45	588.82	495.48	446.32	406.14
Run VMG	1,674.73	1,132.50	861.72	702.07	601.35	502.62	452.31	412.32
Opt Run Angle	171.5	171.6	171.8	172.1	172.1	174.3	174.8	173.9

* Sec/mile rating assume gybing downwind when target angles are deeper than best VMG angles.

Performance Metrics

SA/D:	26.88
D/Length:	186.7
Perf Screen:	14.4

Standard Ratings

	TOT (Non-Spin)				TOD (Non-Spin)			
	V.Light	Light	Medium	Heavy	V.Light	Light	Medium	Heavy
RANDOM LEG	0.392	0.622	0.832	0.978	1,220.5	768.9	575.0	489.3
W50/L50	0.382	0.622	0.858	1.029	1,535.3	942.2	683.0	569.6
W60/L40	0.398	0.639	0.861	1.012	1,504.9	936.9	695.0	591.6
MOSTLY WW	0.456	0.697	0.867	0.961	1,320.4	864.8	694.7	627.1
MOSTLY LW	0.355	0.584	0.821	1.027	1,332.1	809.0	575.3	459.8

Benchmark Ratings

	TOT (Non-Spin)	TOD (Non-Spin)
GPH	0.827	638.3
IR#	0.850	630.0

ORR-Ez PHRF

TOD (Non-Spin)
93.7

ORR-Ez PHRF are based on the Farr 40 MH as Scratch Boat.

Standard PCS Ratings

	TOD (Non-Spin)							
	4 kts	6 kts	8 kts	10 kts	12 kts	16 kts	20 kts	24 kts
RANDOM LEG	1,221.4	874.5	708.3	620.4	569.2	516.1	487.8	468.7
W50/L50	1,535.2	1,082.2	861.0	743.5	674.7	604.0	566.8	540.8
W60/L40	1,504.9	1,069.5	858.7	749.8	687.4	623.1	588.9	565.8
MOSTLY WW	1,320.4	965.0	800.8	728.5	690.3	648.9	624.6	610.3
MOSTLY LW	1,332.1	933.0	737.0	633.0	567.7	497.6	456.3	429.1
MOSTLY REACH								

ORR-Ez PHRF Allowance 4 Winds

	TOD (Non-Spin)			
	V.Light	Light	Medium	Heavy
RANDOM LEG	230.1	135.6	93.1	85.7
W50/L50	328.4	173.8	96.3	83.2
W60/L40	288.8	162.3	98.9	86.1
MOSTLY WW	153.3	114.1	95.0	85.7
MOSTLY LW	387.6	189.1	97.5	85.7